

**PTZ (Pan-tilt-zoom) Camera SC701
User Manual**

Thank you for choosing product.

Please read carefully and thoroughly this document before using the product. Should you have any questions, please contact technical support.

△ Safety Warnings

Placement

- (1) Please do NOT expose the product to direct sunlight or any other heat source.
- (2) Please do NOT place the product in a humid environment for it is NOT water-proof. Keep it from water splashes to avoid internal circuit failure.
- (3) The operating temperature of the product is 0°C-40°C, the operating humidity is 0%-90%RH.

Children's Safety

The product and its accessories contain small components. Please keep them from children.

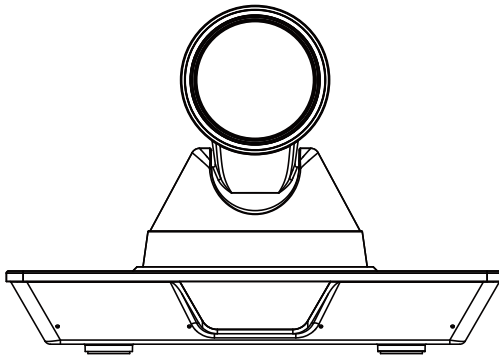
Power

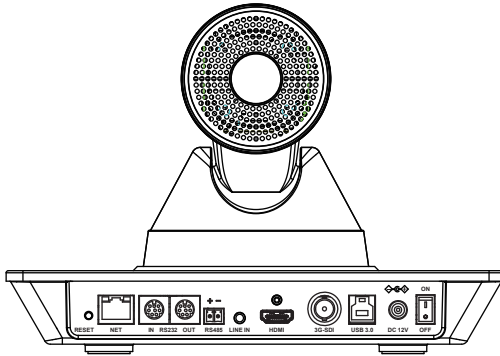
Please use the standard adapter for the product.

Maintenance

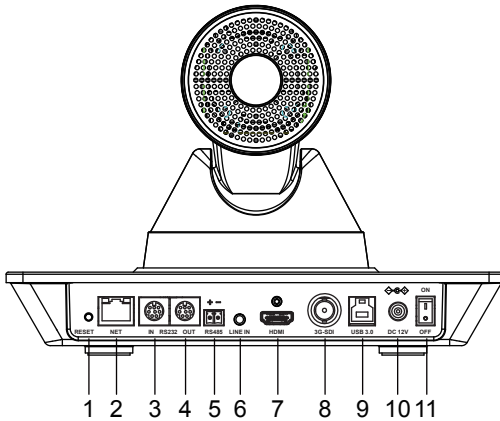
- (1) Please contact authorised reseller or seek technical support for maintenance.
- (2) Please do NOT insert any sharp objects into the product.
- (3) Please do NOT drop or hit the product to avoid damages.

I. Appearance





II. Connection Ports



Item	Name	Item	Name
1	RESET Button	7	HDMI Out
2	NET	8	3G-SDI Out
3	RS232 IN	9	USB 3.0
4	RS232 OUT	10	DC 12V
5	RS485	11	Rocker Switch
6	LINE IN	-	-

III. Packing List

Name	Quantity
Camera	1
Remote Control	1
Power Adapter	1
USB 3.0 Cable	1
2P Phoenix Head	1
Wall Mount	1
Screw Pack	1
User Manual	1

IV. Product Features

4K UHD: A 1/2.5-inch sensor delivers up to 8.51MP, achieving uncompromising image quality.

AVT Port: Supports RJ45 over twisted pair and BNC coaxial connector.

Built-in OLED Screen: For displaying frame rate and resolution for HDMI and SDI input signal and IP address.

Remote Control: Built-in RS232 and RS485 that allows controlling the camera from afar

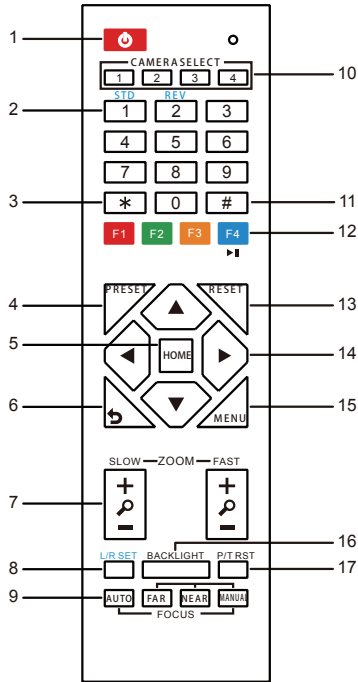
Low Power Consumption during Standby: Standby power consumption is less than 400mW.

71-degree Wide-angle Lens & 12 Times Optical Zoom: Horizontal field of view reaches 71 degrees in the UHD camera. It supports 12 times optical zoom, providing crystal clear images near and far alike.

Broad Connectivity Supported: Supports AVT export, as well as HDMI 1.4b×1, RJ45×1.

The three ports could export high definition contents simultaneously, satisfying needs in various scenarios.

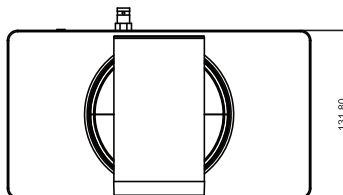
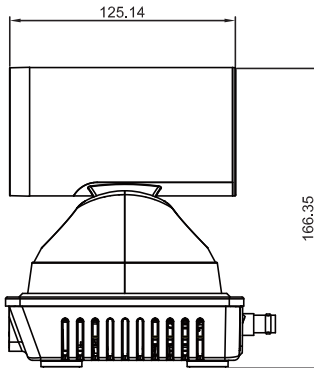
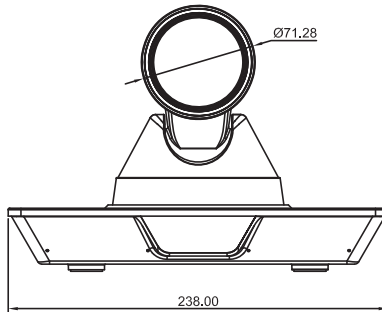
V. Remote Control

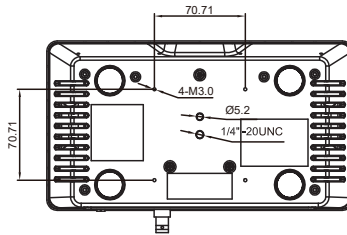


No.	Name	Description
1	Power	Press to enter standby mode
2	Number	Configure Presets or edit Presets
3	Asterisk	Used for certain functions
4	Preset	Configure presets with number keys
5	Home	Press to confirm menu or return the PTZ camera to its default position
6	Return	Return to the previous tier of menu
7	Zoom	Switch between tele-lens mode and wide-angle mode
8	Left/Right/Set	Standard: Press this button with numeral "1" key Reverse: Press this button with numeral "2" key
9	Focus	Switch amongst "Auto-focus", "Manual Focus", "Focus to the far", "Focus to the near"
10	Camera Selection	Select the camera to configure
11	Hash	Used for certain functions
12	IR Remote Control Key	[*+ # + F1/F2/F3/F4]: NO.1/2/3/4 address
13	Reset	Press this key with number key to delete preset set with the numeral

14	PTZ Control	Control the PTZ camera with direction key
15	Menu	Press to enter/quit OSD menu
16	Backlight	Turn on/off the backlight
17	PTZ Reset	Press to start self-check the PTZ Camera

VI. Installation Dimensions





VII. Statement

Size and weight may vary by configuration and manufacturing process. Please refer to the actual product.

The product images are for illustrative purposes only and may slightly differ in appearance, colour, size, etc. from the actual product.

The description, illustrations, etc. in the document may subject to change in accordance with the latest product specification and performance.

Should the change as mentioned above in the document become necessary, the document may be updated without written notice.

HDMI™

HIGH-DEFINITION MULTIMEDIA INTERFACE

NOTICE: The terms HDMI and HDMI High-Definition Multimedia Interface, and the HDMI Logo are trademarks or registered trademarks of HDMI Licensing LLC in the United States and other countries.

